

RF SOFA

DESIGN MASSIMO CASTAGNA

STRUCTURE

Norwegian softwood solidwood.

PADDING

Structure covered polyurethane sheet SR75 with 100 gr resin sheet, covered with leather

Seat cushion in Ecolypha 40 with pad in polyurethane T50 and VE40S, covered with duvet 100% white duck Gold Label 280 and anti-duvet 100% cotton fabric 210 gr.

Backrest and armrest cushions in PF25SM, covered with duvet 100% white duck Gold Label 280 and anti-duvet 100% cotton fabric 210 gr.

UPHOLSTERY

Cushions covered with leather or fabric from our range.

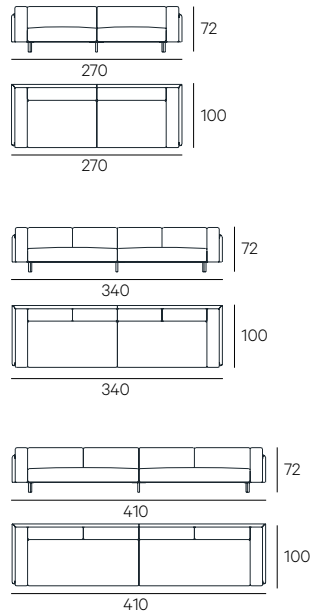
HENGE

TECHNICAL DATA

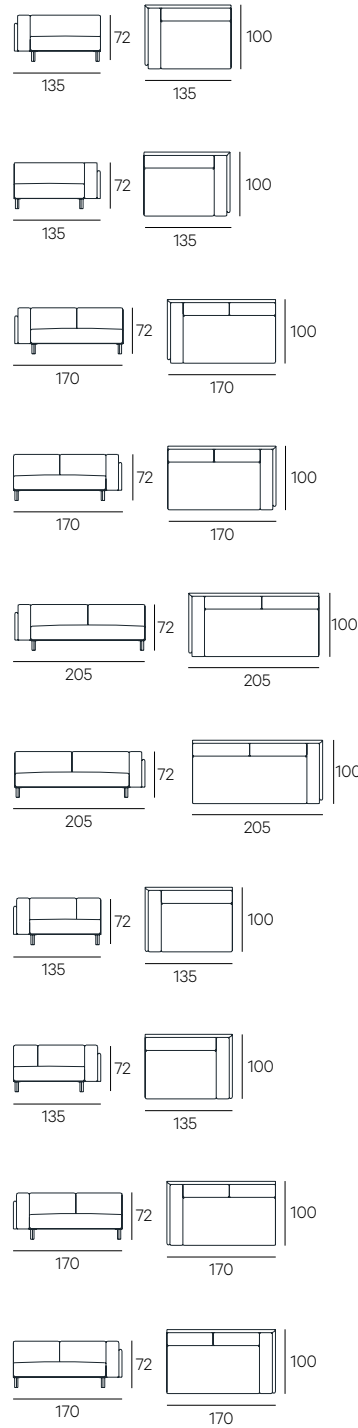
Cm 100x72h

Seat cm 43h

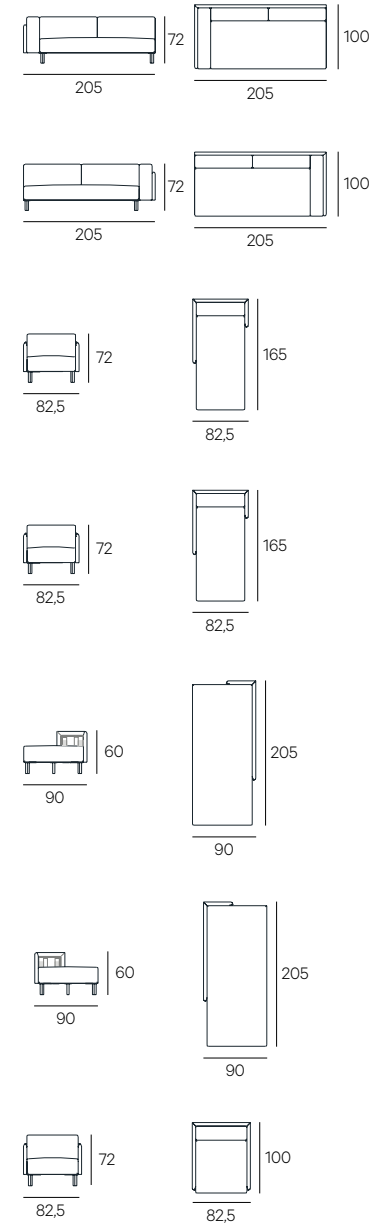
TECHNICAL DRAWINGS



TECHNICAL DRAWINGS



TECHNICAL DRAWINGS



RF SOFA WOODEN BACKREST

DESIGN MASSIMO CASTAGNA

STRUCTURE

Norwegian softwood solidwood.

PADDING

Structure in solidwood with woven leather.

Seat cushion in Ecolypha 40 with pad in polyurethane T50 and VE40S, covered with duvet 100% white duck Gold Label 280 and anti-duvet 100% cotton fabric 210 gr.

Backrest and armrest cushions in PF25SM, covered with duvet 100% white duck Gold Label 280 and anti-duvet 100% cotton fabric 210 gr.

UPHOLSTERY

Leather or fabric from our range,

WOODEN BACK STRUCTURE

In solid wood open pore matt lacquered in selected colors matching with the finish of selected weave leather from our range.

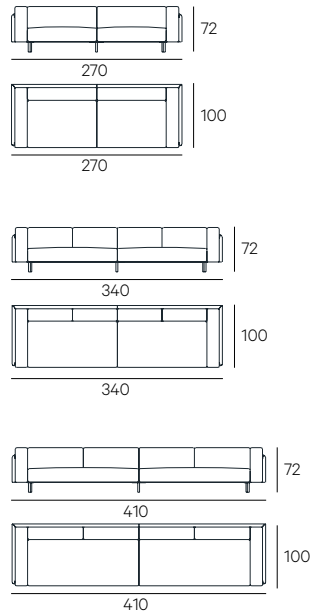
HENGE

TECHNICAL DATA

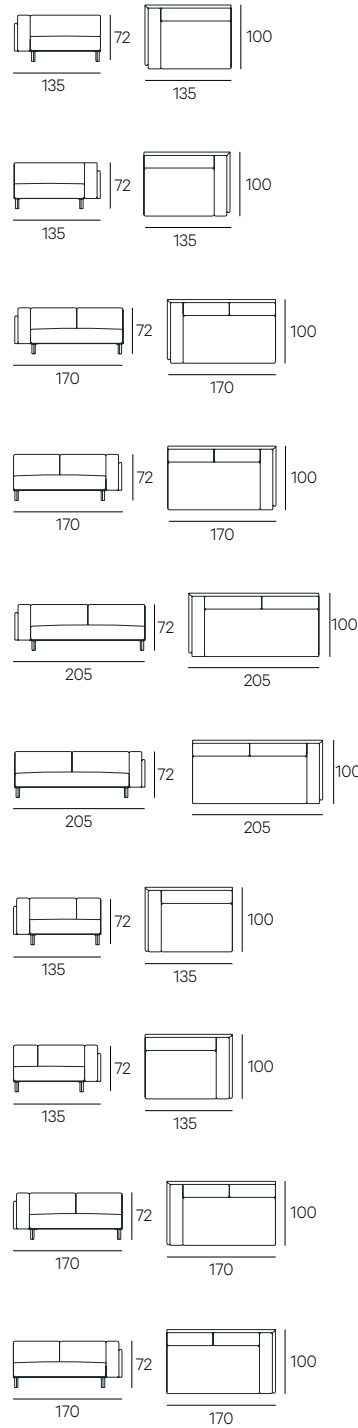
Cm 100x72h

Seat cm 43h

TECHNICAL DRAWINGS



TECHNICAL DRAWINGS



TECHNICAL DRAWINGS

