

---

# Aurae

SOFAS

Antonio Citterio



## Description

Geometric volumes raised off the floor and soft clean rigorous lines are the distinctive characteristics of Aurae sofas. This collection offers a high level of formal elegance, with linear seating in five dimensions with a generous depth (widths cm. 210-250-290-330-370 x depth cm.105), completed by soft backrest cushions to guarantee maximum comfort. Carefully crafted tailored details on exclusive fabric upholstery are embellished with a faux leather trim that defines the shape. In addition to fabric upholstery, leather covers with profile seams are available. The lower perimeter edge is available in different painted metal finishes: bronzed nickel, black chrome, graphite and amber.

---

## Technical information

### Internal frame

tubular steel and steel profiles

### Internal frame upholstery

Bayfit® flexible cold shaped polyurethane foam, shaped polyurethane, polyester fibre cover

### Seat cushion upholstery

shaped polyurethane, sterilized down, polyester fibre cover

### Back cushion (AU60C-AU90C)

down feather, box style typology

### Lower edge

die-cast aluminium and extrusions

### Base-frame

drawn steel

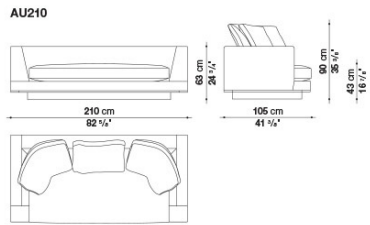
### Feet

thermoplastic material

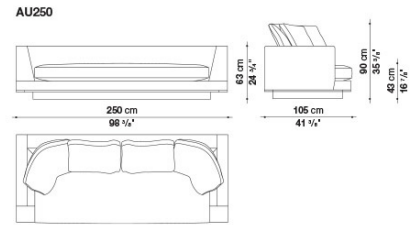
### Cover

fabric (eco-leather profiles) or leather (profile stitching)

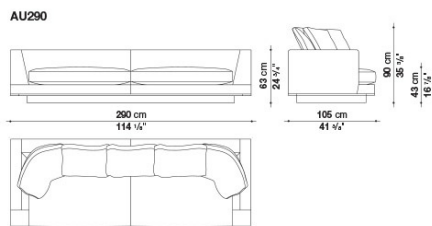
# Technical drawings



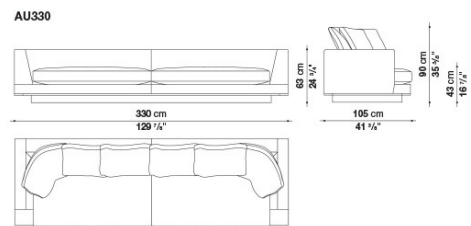
AU210



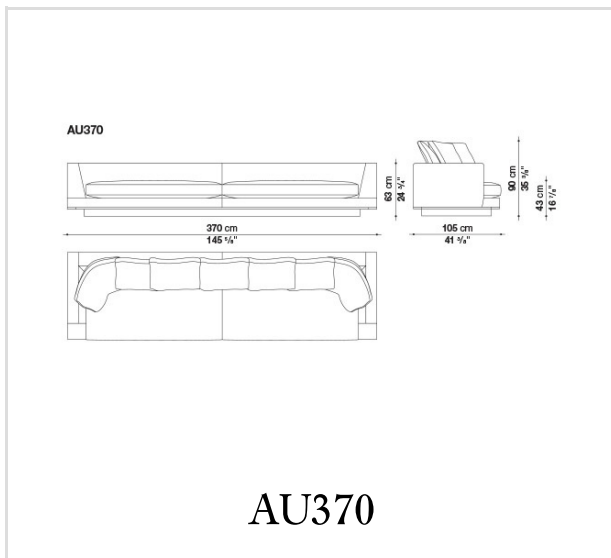
AU250



AU290



AU330



AU370

B&B Italia reserves the right to make technological and aesthetic improvements to its models, including changes to the sizes and materials, without notice. The technical drawings do not define the details of the product. The measurements shown are indicative and may undergo changes. In particular, the dimensions relevant to the padded parts are subject to usage tolerances over time caused by the normal adjustment of the padding. For the specific information, please contact the dealer closest to you.