

# Harbor

ARMCHAIRS

2017

Naoto Fukasawa



## Description

---

Enveloping and sinuous, the Harbor armchair with armrests stands out for its sculptural design. It comes in two ergonomically designed versions: a relaxing armchair with a high backrest and headrest, and another with a low back fostering conversation. Both come with a swivel base and a visible metal zipper on the rear of the backrest, allowing the cover to be removed. The Harbor armchairs can be matched with an ottoman, onto which a tray can be rested for use as a small table. The series also includes a two-seater sofa.

## Technical information

---

**Internal frame**

tubular steel and steel profiles

**Internal frame upholstery**

Bayfit® flexible cold shaped polyurethane foam, polyester fibre cover

**Swivel base-frame (HA80A-HA80B)**

steel laminate and aluminium

**Base-frame (HA61P)**

steel laminate

**Headrest (HA\_P)**

shaped polyurethane, polyester fibre, cotton cover, counterweight in anodized aluminium and steel

**Tray (HA65V)**

solid wood, veneered wood fibre panel

**Ferrules**

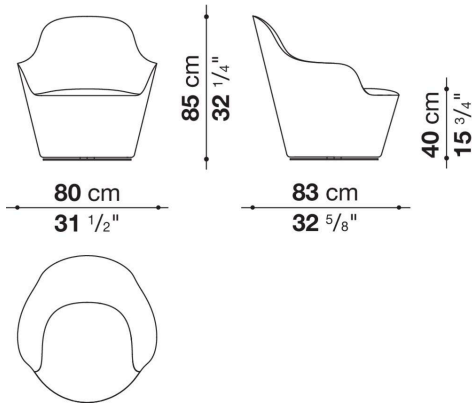
thermoplastic material

**Cover**

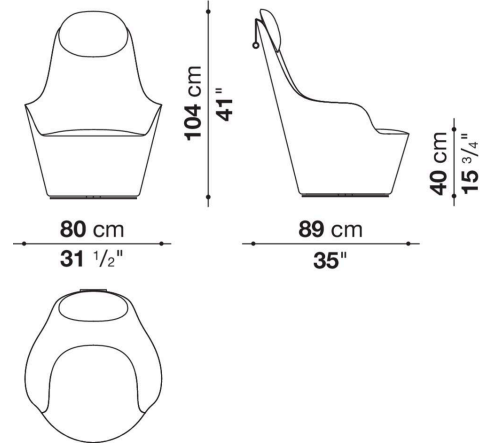
fabric (double needle lapped seams) or leather (double needle lapped seams or sellier topstitch seams)

# Technical drawings

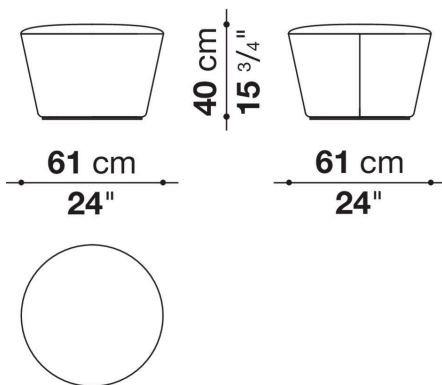
**HA80B**



**HA80A**



**HA61P**



**HA65V**

