

---

# B&B Atoll

SOFAS

2018

Antonio Citterio



## Description

---

Named after the coral formation, the modular sofa system B&B Atoll is a refined expression of a balanced aesthetic form and a decisive contemporary style that is also extremely elegant. The system is built on three basic platforms that are complemented by armrest and backrest elements to form various types of seats: sofas, dormeuses, corner-end modules, single or modular elements with chaise longue and ottomans. The frames have light, slender lines and are applied on high die-cast supports with metal profile emphasising the line between the structure and upholstery. The pieces are given even more character by a supporting element to be placed wherever desired, a bolster in two sizes attached by leather straps to a die-cast structure. This accessory can be inserted between the seat cushion and the base structure to provide an additional support or become an armrest or backrest at will. B&B Atoll is a dynamic project with a constantly fresh ability to adapt to different compositions and create different seating types, from informal relax versions to most formal, also made possible by the use of complementary back cushions.

# Technical information

---

**Internal frame**

tubular steel and steel profiles

**Internal frame upholstery**

Bayfit® flexible cold shaped polyurethane foam, polyester fibre cover

**Seat cushion**

shaped polyurethane of different density, sterilized down, polyester fibre cover

**Back cushion**

shaped polyurethane, sterilized down

**Lumbar cushion (AT45\_40)**

down feather, box style typology

**Roller**

shaped polyurethane, polyester fibre cover

**Roller support**

die-cast aluminium

**Roller webbing**

fabric or leather

**Support frame**

die-cast aluminium

**Ferrules**

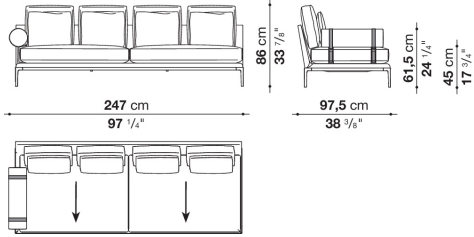
plastic material

**Cover**

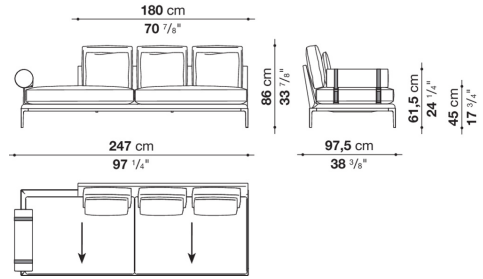
fabric or leather

# Technical drawings

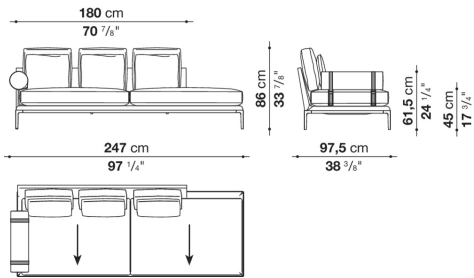
**ATR247S\_3**



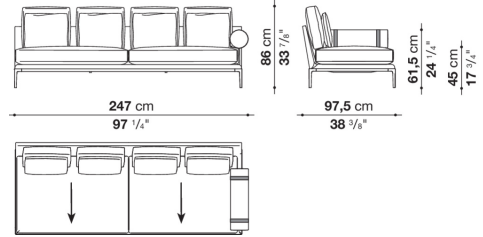
**ATR247S\_2**



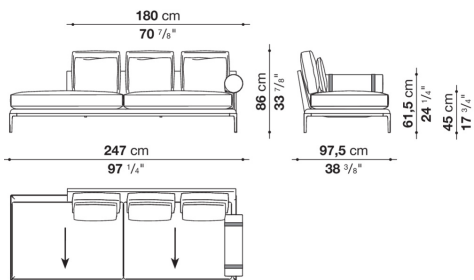
**ATR247S\_1**



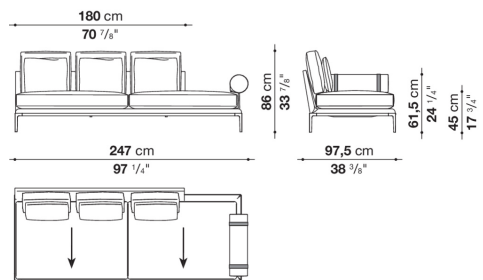
**ATR247D\_3**



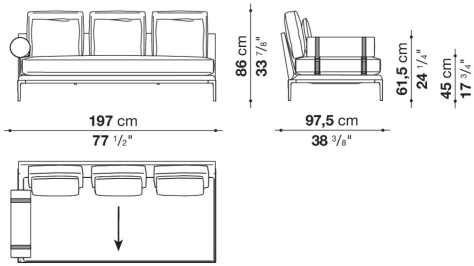
**ATR247D\_2**



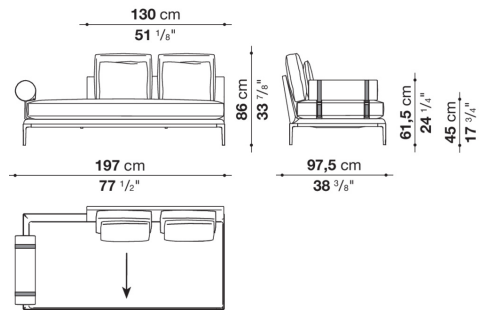
**ATR247D\_1**



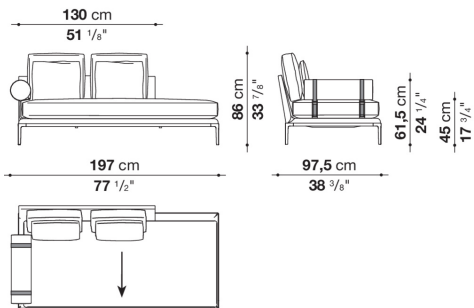
ATR197S\_3



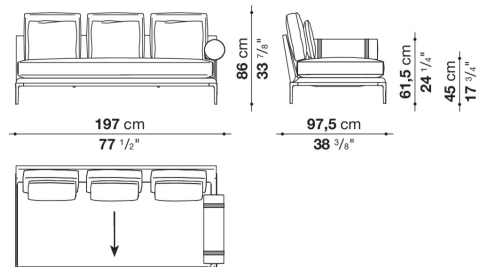
ATR197S\_2



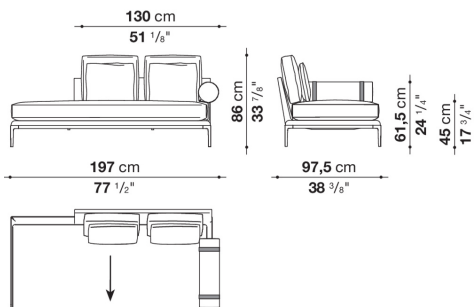
ATR197S\_1



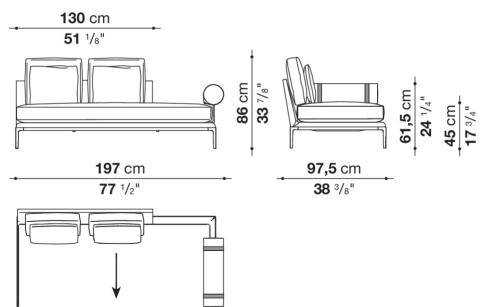
ATR197D\_3



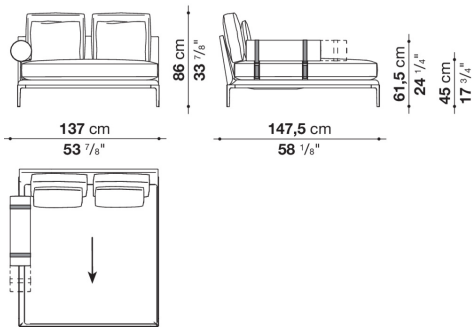
ATR197D\_2



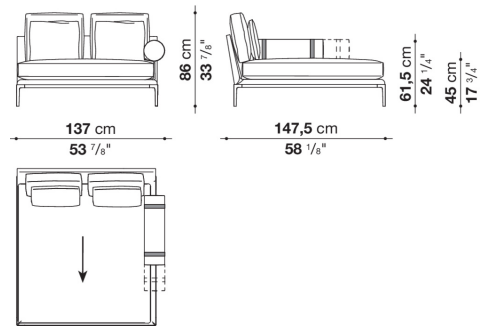
ATR197D\_1



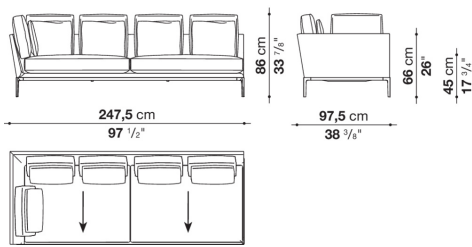
**ATR137LS**



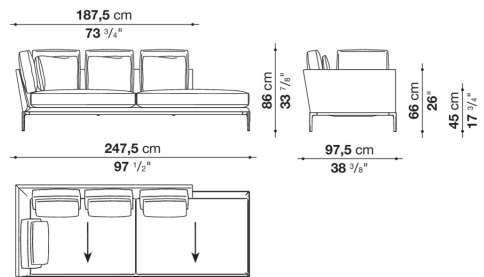
**ATR137LD**



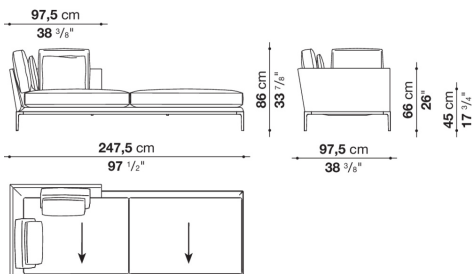
**AT248TAS\_3**



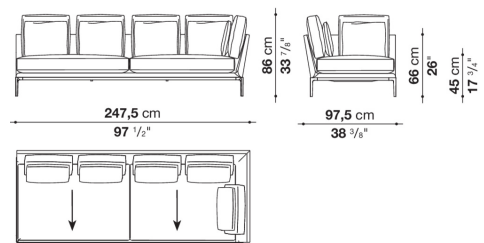
**AT248TAS\_2**



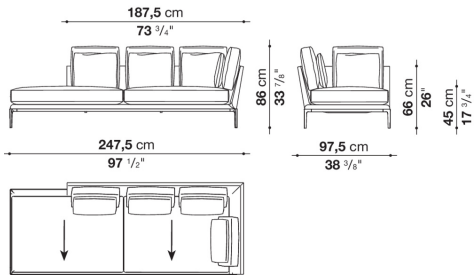
**AT248TAS\_1**



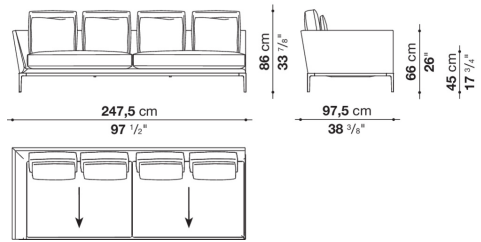
**AT248TAD\_3**



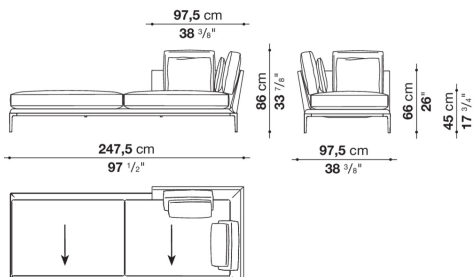
AT248TAD\_2



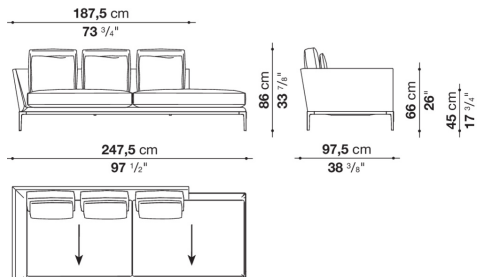
AT248S\_3



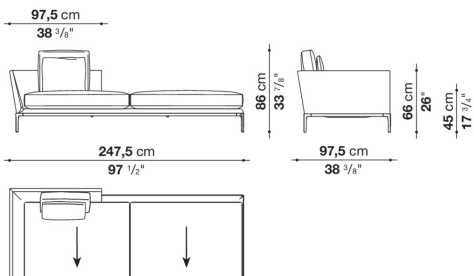
AT248TAD\_1



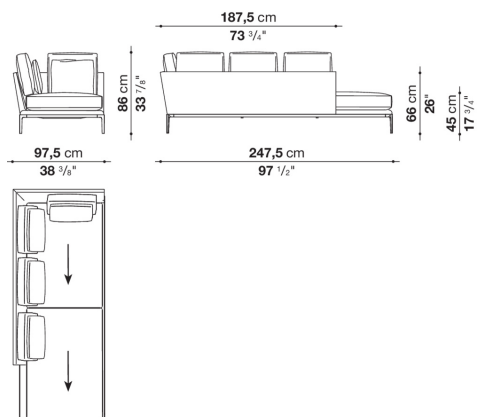
AT248S\_2



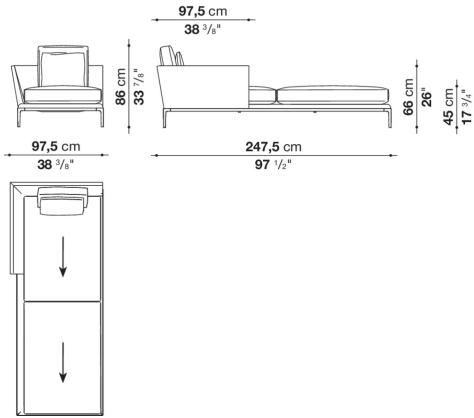
AT248S\_1



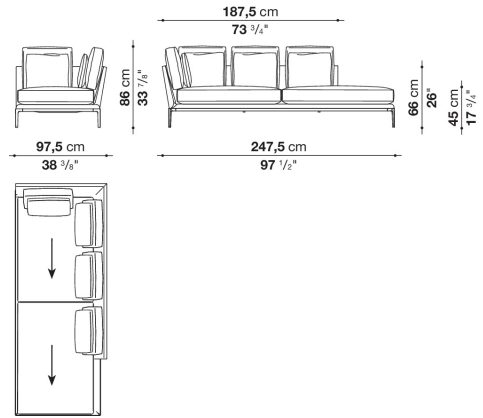
AT248LS\_2



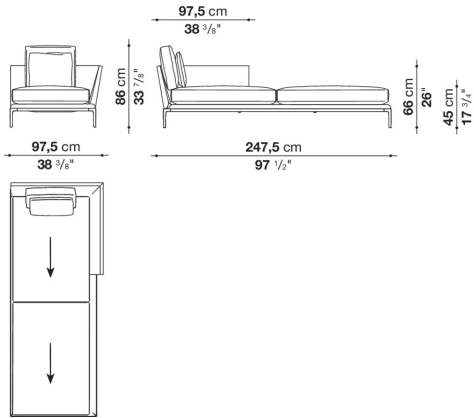
AT248LS\_1



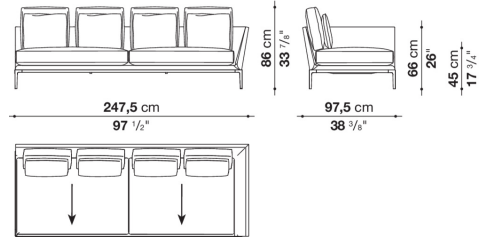
AT248LD\_2



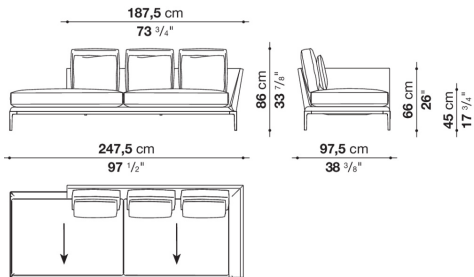
AT248LD\_1



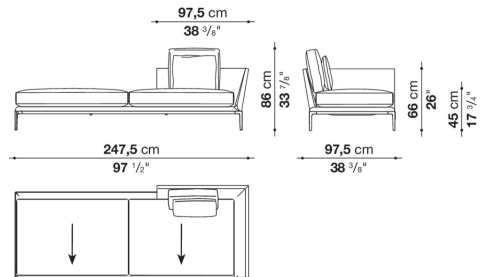
AT248D\_3



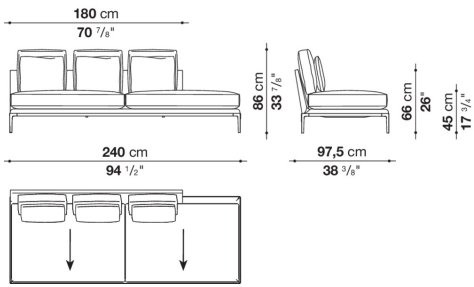
AT248D\_2



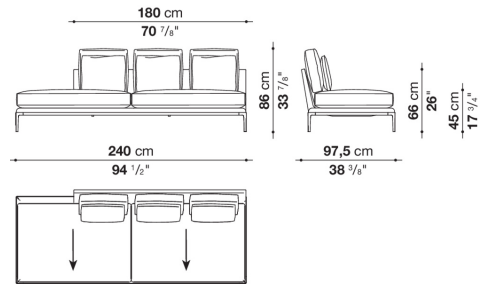
AT248D\_1



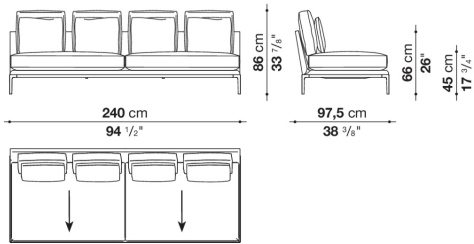
AT240PS



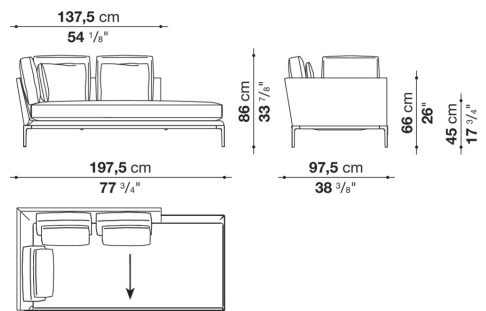
AT240PD



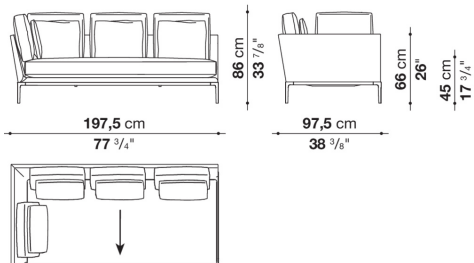
AT240C



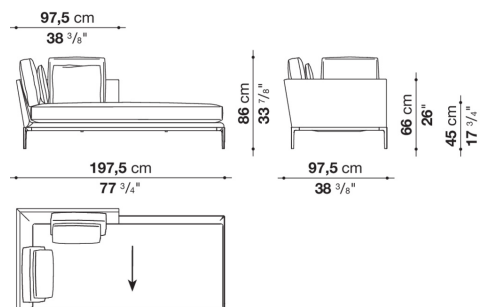
AT198TAS\_2



AT198TAS\_3

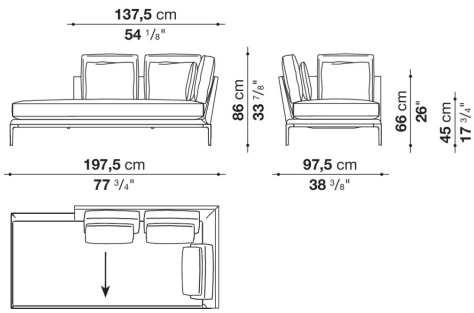


AT198TAS\_1

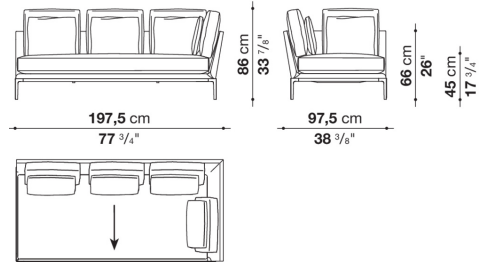




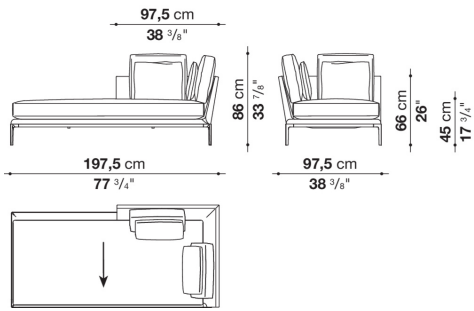
AT198TAD\_2



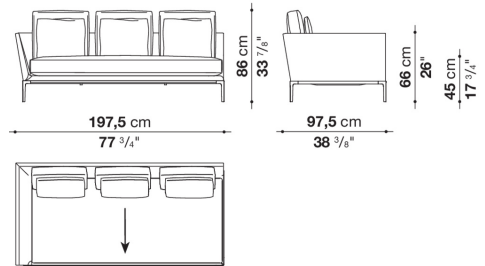
AT198TAD\_3



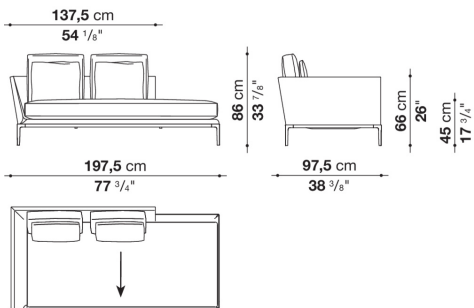
AT198TAD\_1



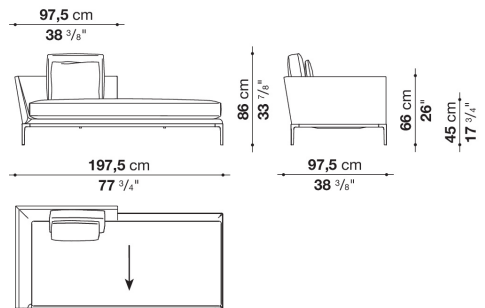
AT198S\_3



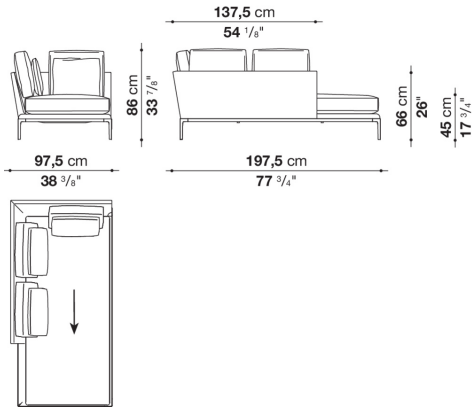
AT198S\_2



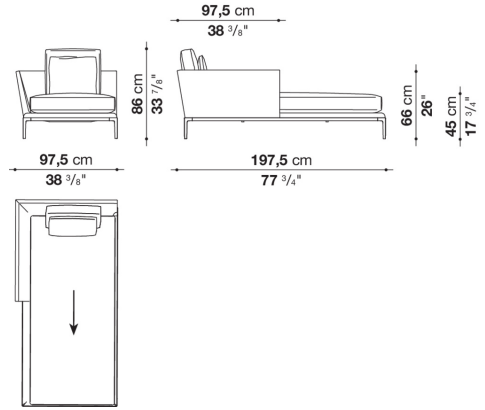
AT198S\_1



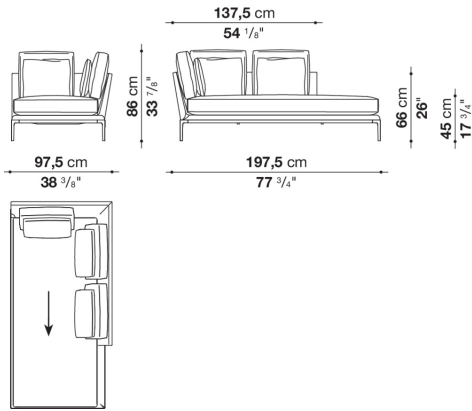
AT198LS\_2



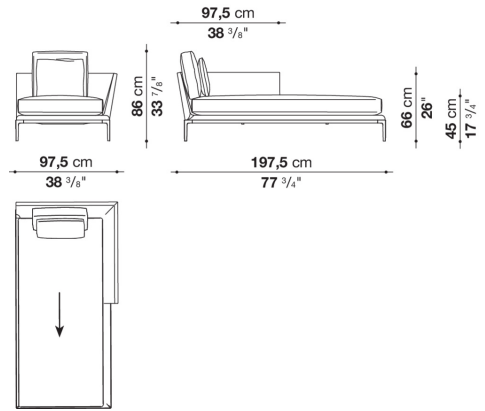
AT198LS\_1



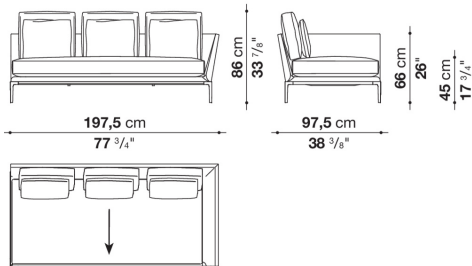
AT198LD\_2



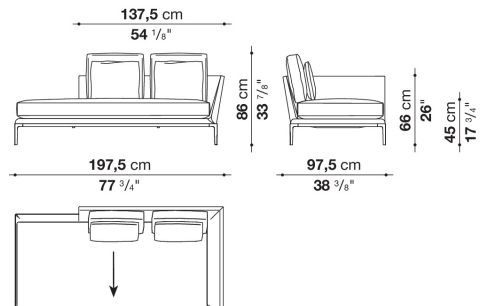
AT198LD\_1



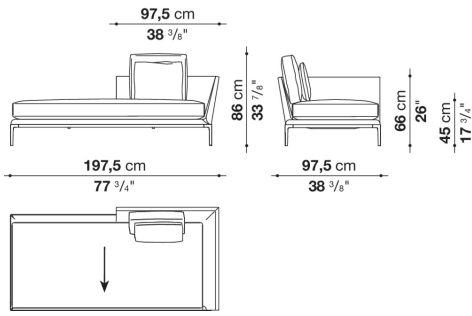
AT198D\_3



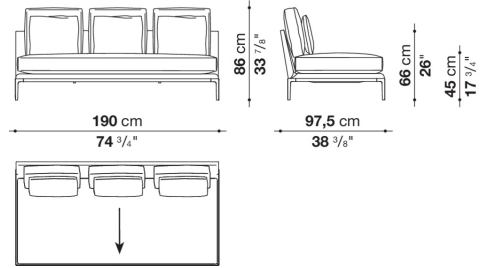
AT198D\_2



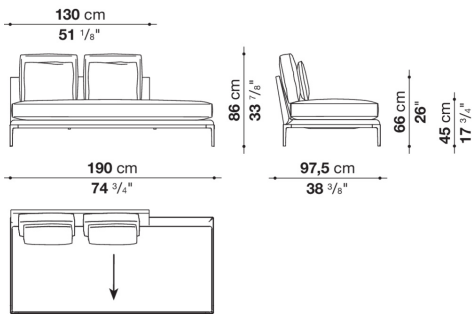
AT198D\_1



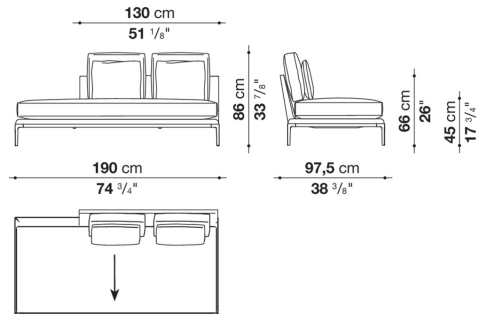
AT190C



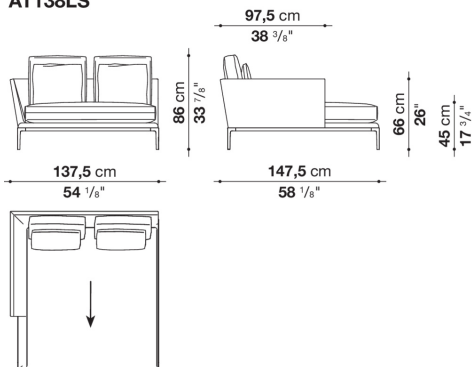
AT190PS



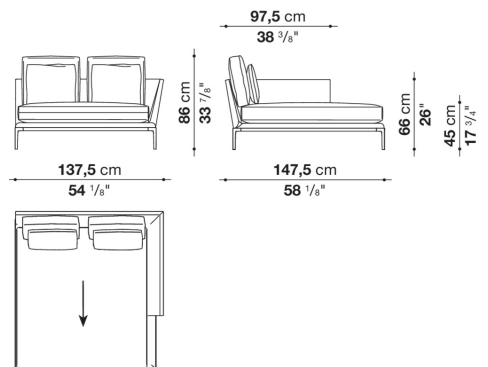
AT190PD



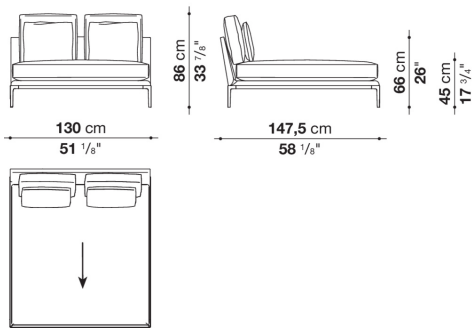
AT138LS



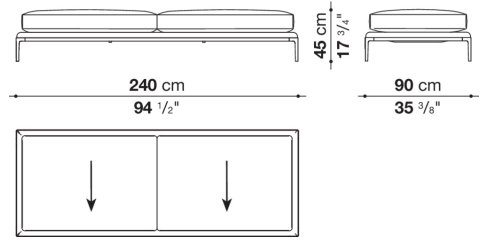
AT138LD



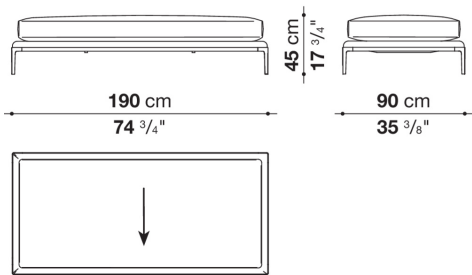
**AT130L**



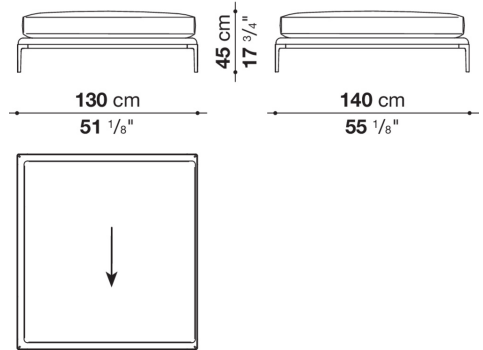
**ATR240P**



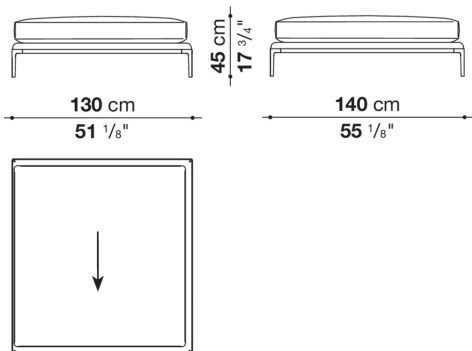
**ATR190P**



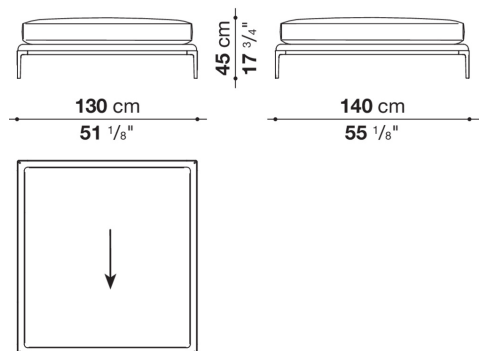
**ATR130PS**



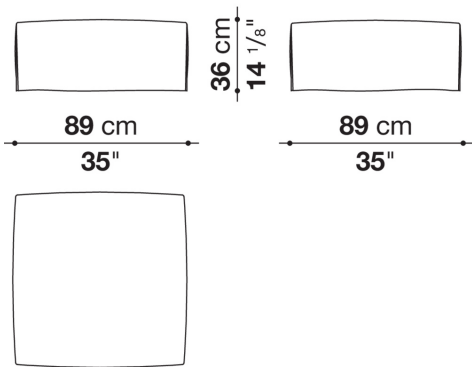
**ATR130PD**



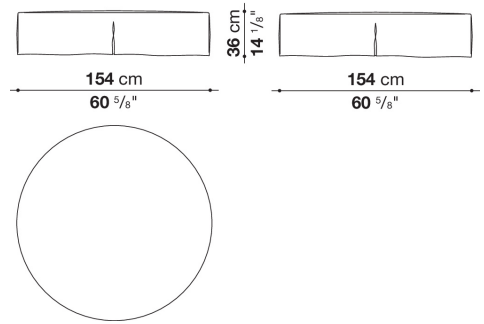
**ATR130P**



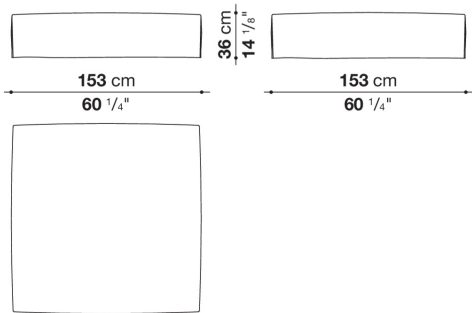
### AT89PQF



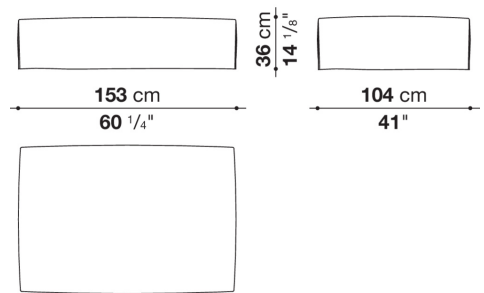
### AT154DPF



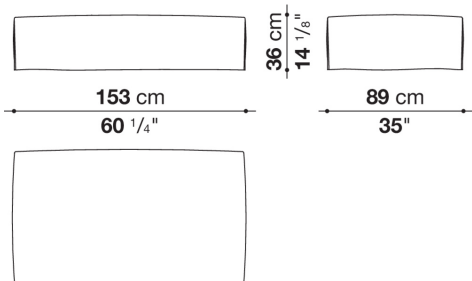
### AT153PQF



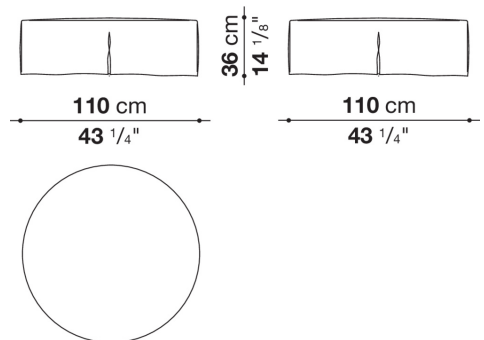
### AT153PF\_2



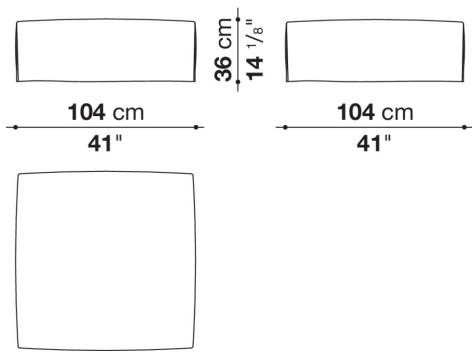
### AT153PF\_1



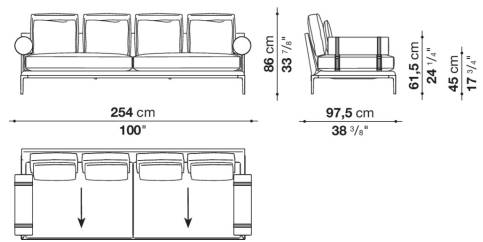
### AT110DPF



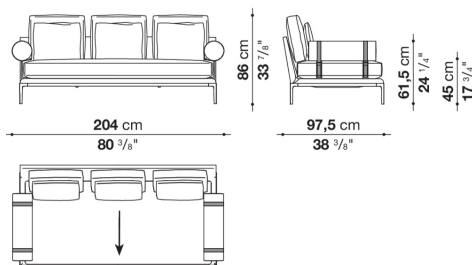
### AT104PQF



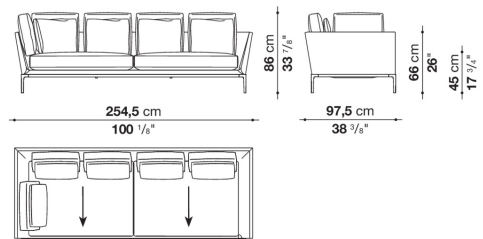
### ATR254



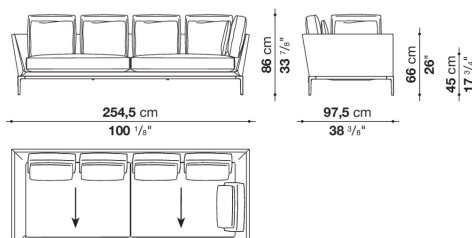
### ATR204



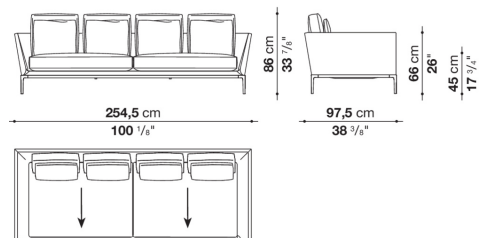
### AT255AS



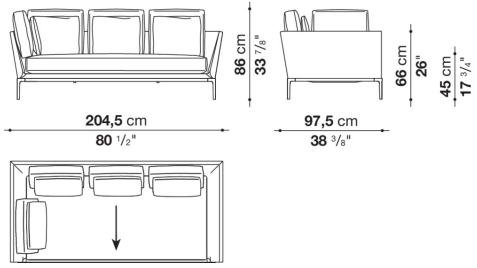
### AT255AD



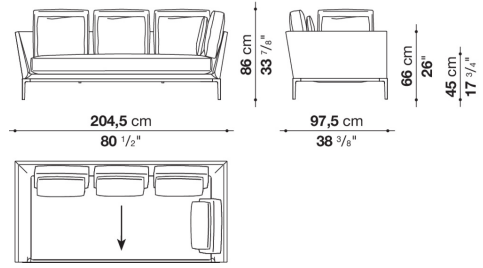
### AT255



**AT205AS**



**AT205AD**



**AT205**

