

---

# Tufty-Time

SOFAS

2005

Patricia Urquiola



## Description

---

The Tufty-Time sofa series, one of B&B Italia's most consolidated successes, finds effective answers to the themes of modularity, comfort and removable covers. The Tufty-Time modular system starts with an ottoman as the basic piece, which is then accompanied by central, corner and terminal elements with a low or high armrest. The elements are used to invent traditional sofas, sofas with chaise longue, corner sofas and island elements that provide a 360° seating solution. Cosy in its more accentuated depth, Tufty-Time becomes a meeting place, a welcoming refuge where people can just relax. With its fabric or leather upholstery, Tufty-Time offers a more contemporary take on the traditional Chesterfield and capitonné sofas, with a freer and more informal lifestyle.

## Technical information

---

**Internal frame**

tubular steel and steel profiles

**Internal frame upholstery**

Bayfit® flexible cold shaped polyurethane foam, polyester fibre cover

**Back cushion (T60\_C)**

down feather and polyester fibre, pillow style typology

**Feet**

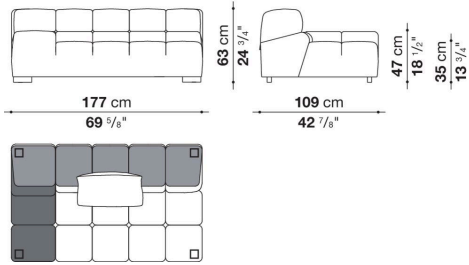
thermoplastic material

**Cover**

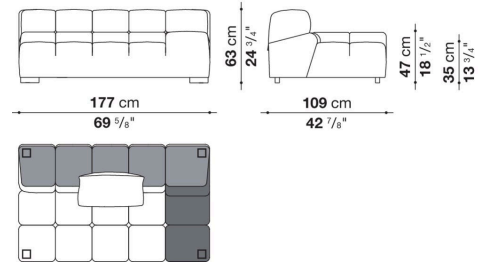
fabric or leather

# Technical drawings

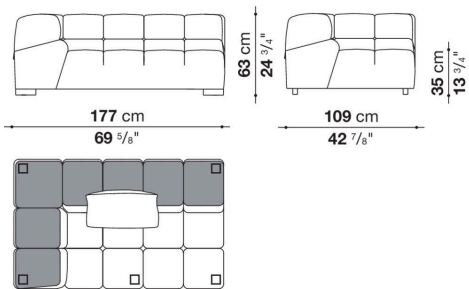
**T177BS\_3**



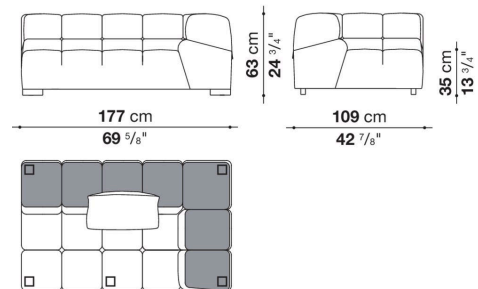
**T177BD\_3**



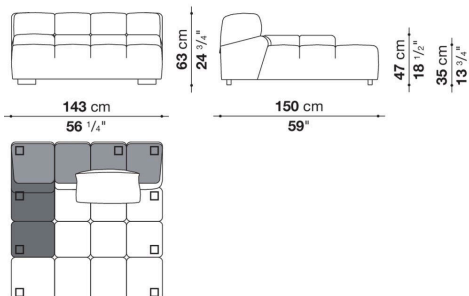
**T177AS\_3**



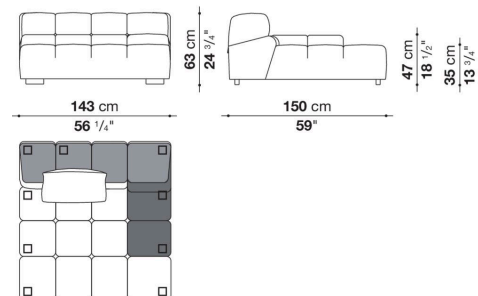
**T177AD\_3**



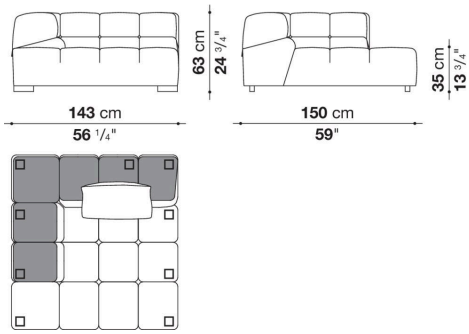
**T143BS\_4**



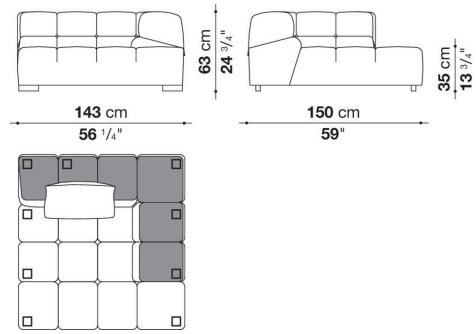
**T143BD\_4**



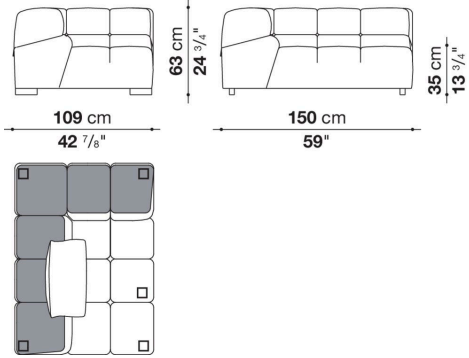
**T143AS\_4**



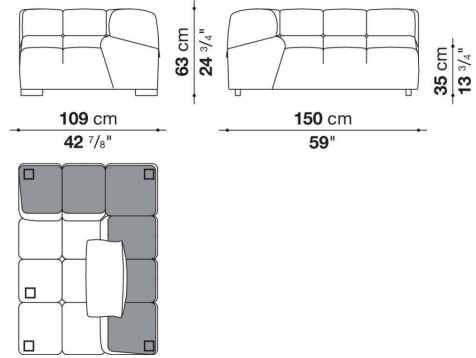
**T143AD\_4**



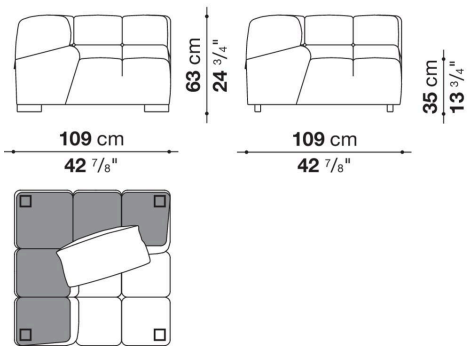
**T109\_4S**



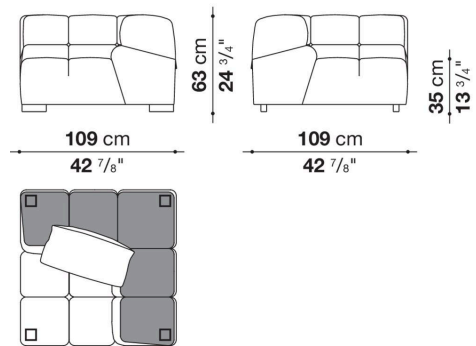
**T109\_4D**



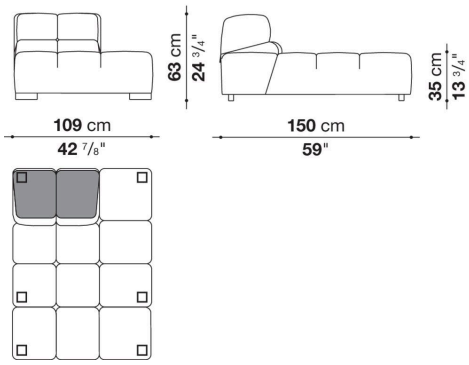
**T109\_3S**



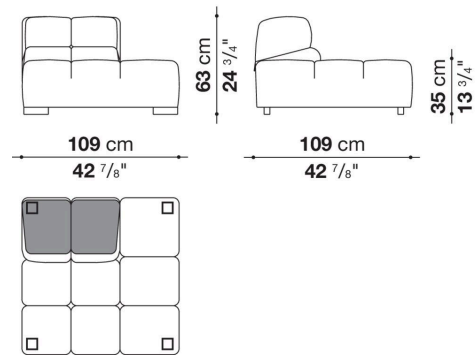
**T109\_3D**



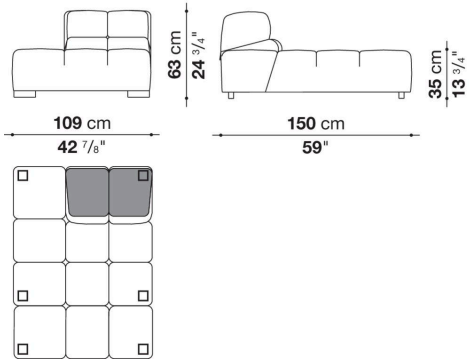
**T109TPS\_4**



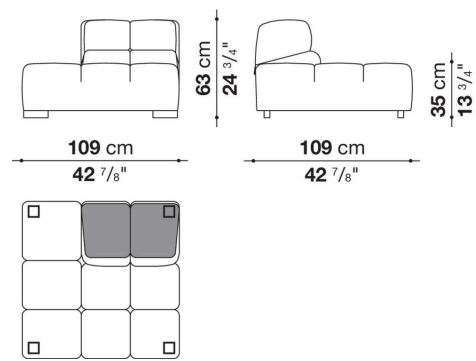
**T109TPS\_3**



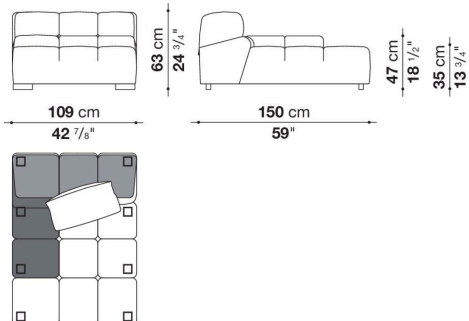
**T109TPD\_4**



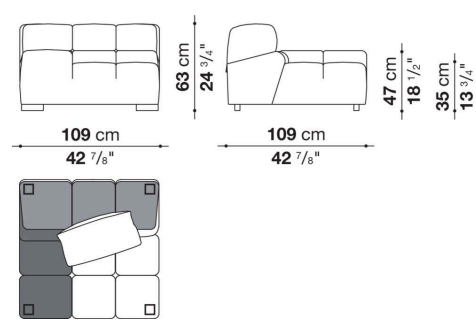
**T109TPD\_3**



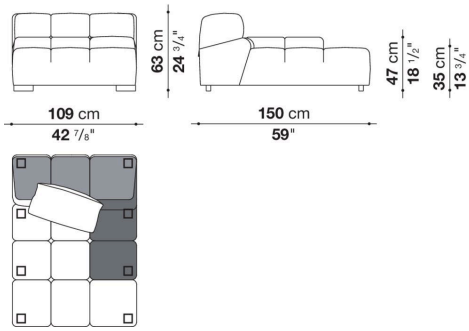
**T109BS\_4**



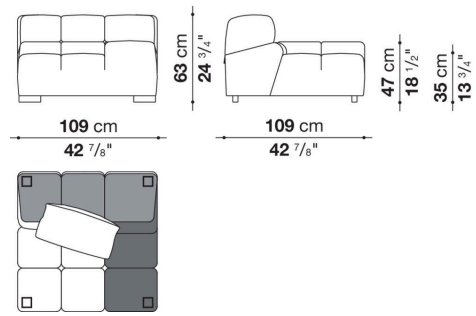
**T109BS\_3**



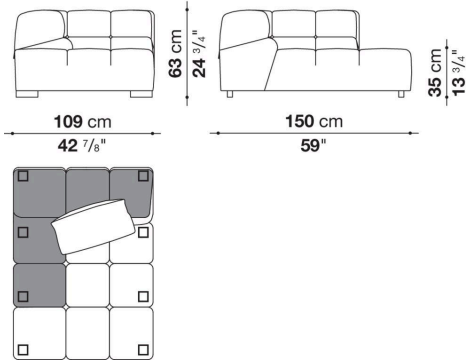
**T109BD\_4**



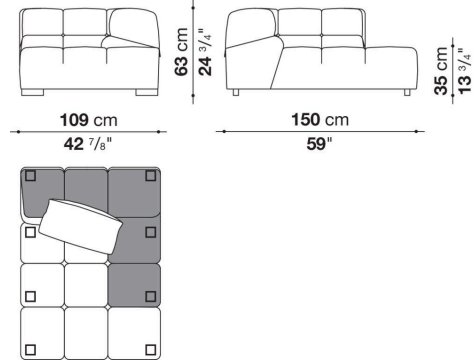
**T109BD\_3**



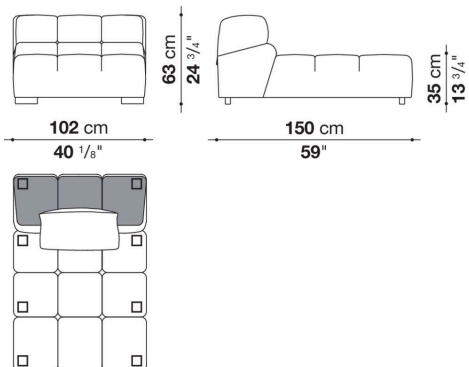
**T109AS\_4**



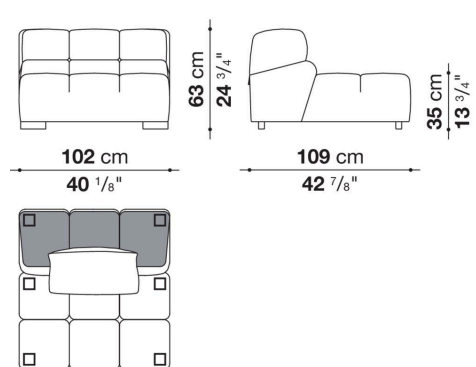
**T109AD\_4**



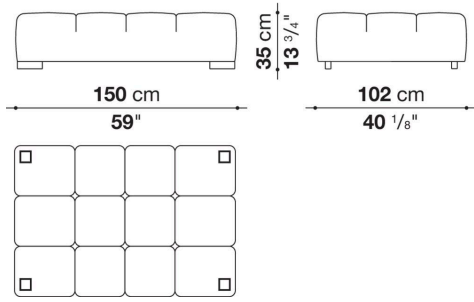
**T102C\_4**



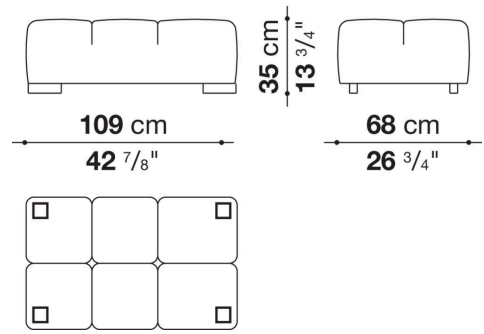
**T102C\_3**



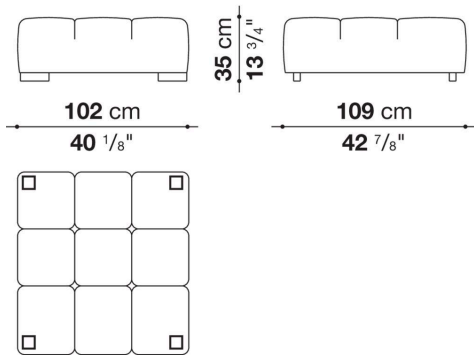
**T150P\_3**



**T109P\_2**



**T102P\_3**



**T102P\_2**

