

# GIBSON

DESIGN MASSIMO CASTAGNA

**HENGE**

## STRUCTURE

Structure black burnished Steel

## TOP

In 2 cm thickness wood veneered

## TOP FINISHES

Oak thermowood, Eucalyptus thermowood, Black Eucalyptus thermowood, Swamp oak, Swamp Elm or H-Pioma

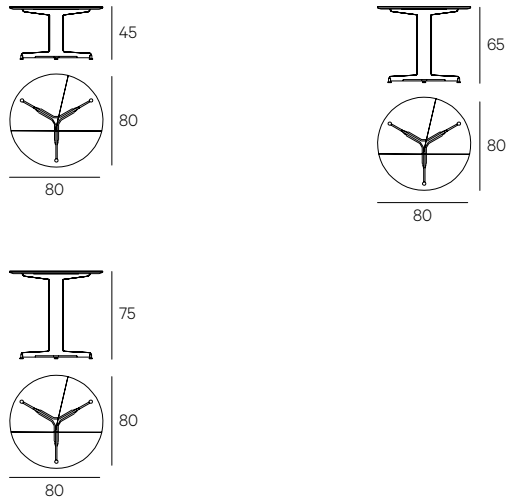
## TECHNICAL DATA

Cm ø 80x45h  
Cm ø 80x65h  
Cm ø 80x75h

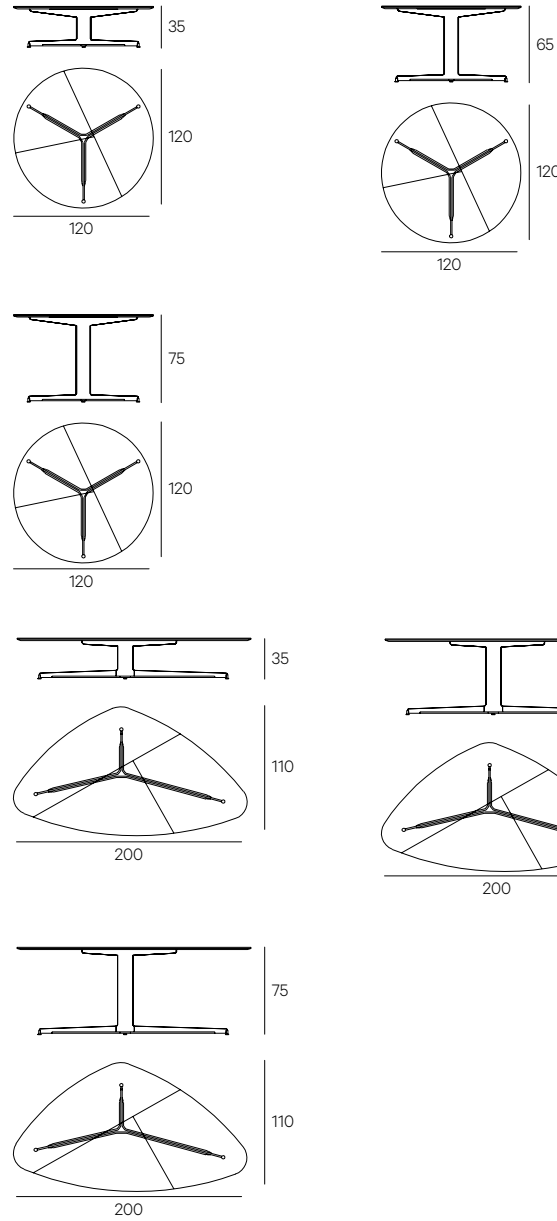
Cm ø 120x35h  
Cm ø 120x65h  
Cm ø 120x75h

Cm 200x100x35h  
Cm 200x100x65h  
Cm 200x100x75h

## TECHNICAL DRAWINGS



## TECHNICAL DRAWINGS



## CARE AND MAINTENANCE OF WOOD

The woods used for our products are of the highest quality and manufactured with the greatest craftsmanship. As wood is a natural material, when placed in a very dry environment it loses humidity and consequently shrinks. In contrast, in a very humid environment wood acquires humidity, increasing in size. These subtle reactions are not flaws but natural movements of a 'living' product, which expands and contracts as the seasons change. Furthermore, the final moisture content of wood also varies according to use, for which particular care is required. For routine maintenance of wood, use a soft, damp, fluffy cloth, or a microfiber cloth. Stubborn stains cleaning wood and does not scratch. To thoroughly clean even the finest grain, follow the direction of the grain using a neutral pH detergent. Next, rinse with a well wrung out cloth and thoroughly dry all surfaces. It is advisable to use neutral pH products and to always test any product on a small hidden part of the object before using it on the outside. To apply the rejuvenating oil provided, carefully follow the instructions printed on the packaging. Bear in mind, however, that the treatment does not make the surface immune to the effects of acidic substances (such as lemon juice).

Specific cleaner and care kit for wooden surfaces, including specific products and accessories is available upon request.