

Artemone

STORAGE UNITS

2024

Antonio Citterio



Description

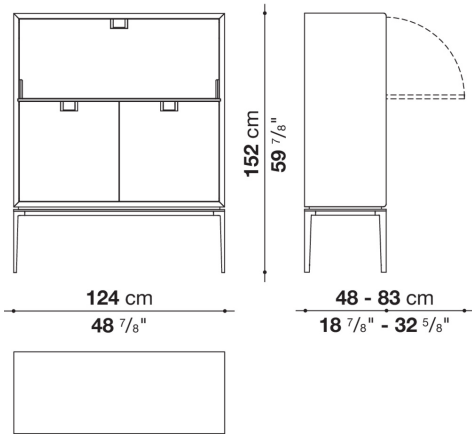
Artemone is a storage unit that stems from desire to update the traditional dresser found in kitchens. It is available in different combinations of hinged doors and drawers, with or without flap down door, and can be fitted with shelves, pull-out trays and cutlery racks. The different types share the lightness of the base design, separated from the upper part by a shadow gap of a few millimetres that makes the structure visually lighter. The base in die-cast aluminium is available in an array of finishes to match the upper part which is offered in shellac or wood.

Technical information

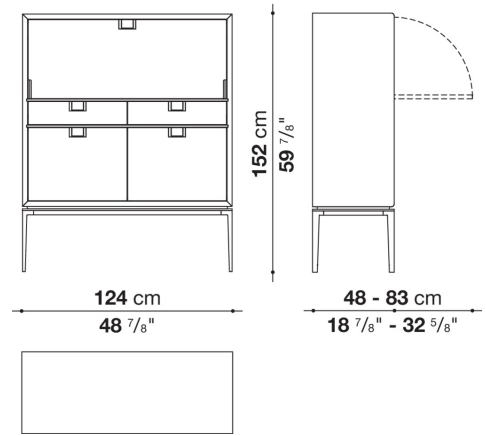
External frame (shellac version)
PVC-coated MDF wood fibre panel
External frame (wooden version)
MDF wood fibre panel with veneer and solid wood parts
Internal frame, internal equipment, door and drawer front
painted or veneered MDF wood fibre panel
Flap door compartment internal frame
reflective material
Drawer frame
MDF wood fibre panel and bottom base in wood particles with melamine faced cover
Flap door compartment shelf (CTA120_1-CTA120_2-CTA120_3)
toughened glass
Handle
die-cast zama
Support frame
die-cast aluminium and extrusions
Adjustable feet
thermoplastic material

Technical drawings

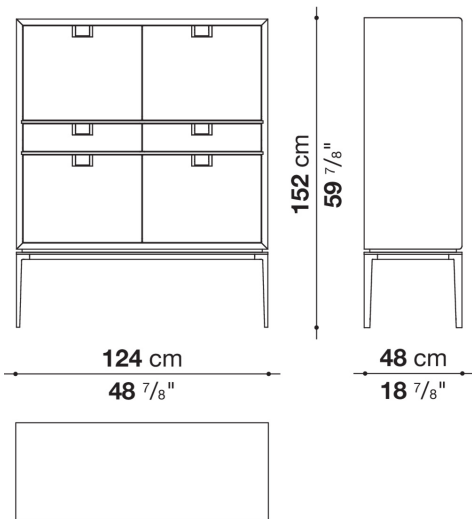
CTA120_1



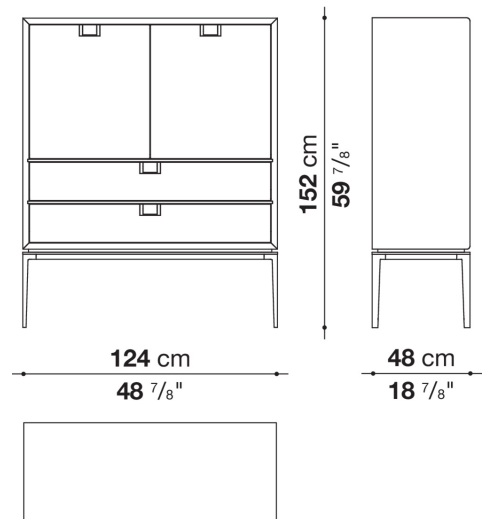
CTA120_2



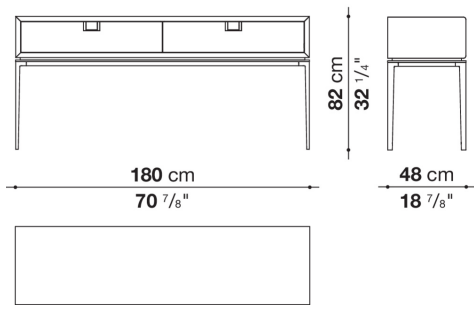
CTA120_3



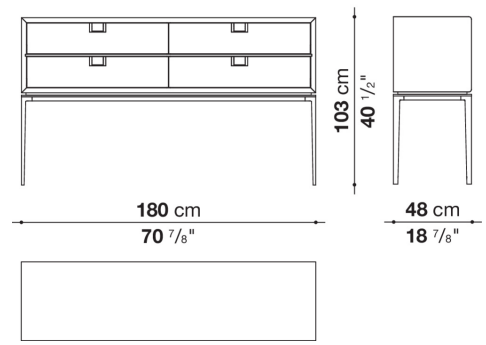
CTA120_4



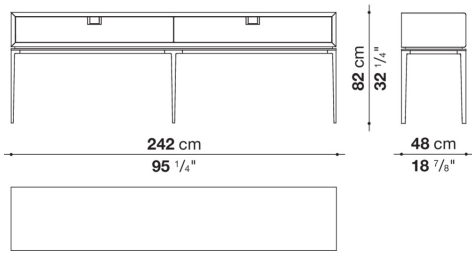
CSA180_1



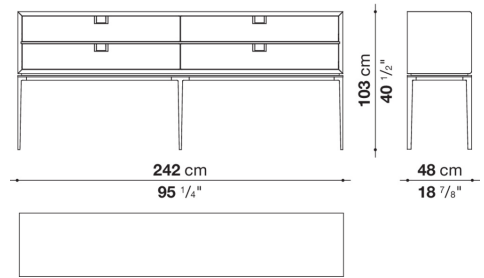
CSA180_2



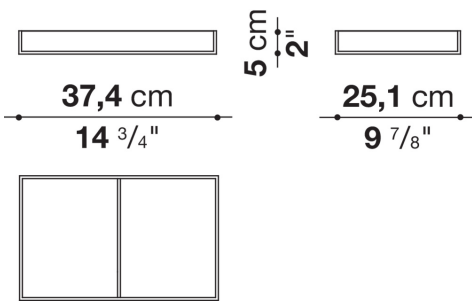
CSA240_1



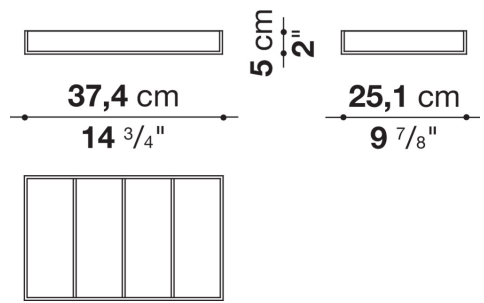
CSA240_2



CTA_PA



CTA_PB



CTA_PC

