

# Isos

TABLES

2024

Piero Lissoni



## Description

The Isos table was born under the banner of transparency and visual lightness. What characterises it are the cylindrical legs, load-bearing elements that enjoy an elegant design detail: chisel-tipped, they are grafted to the top by means of a steel plate that lends solidity and style. The rounded profile of the top adds a touch of softness and refinement to the overall design. Isos is available with round, oval and rectangular tops in different sizes, with three, four or six unusually positioned legs. The legs are available in black Marquinia marble, white Carrara marble, oak wood in different finishes - light brushed, black brushed, grey - to be combined with the top in extra light transparent glass. Isos is also available entirely in wood - with top and legs in light brushed, black brushed or grey oak - for a solution that adds a touch of warmth and naturalness to the environment.

# Technical information

---

**Top**

glass or veneered wood fibre

**Legs**

marble (natural finish) or solid wood

**Structural sections**

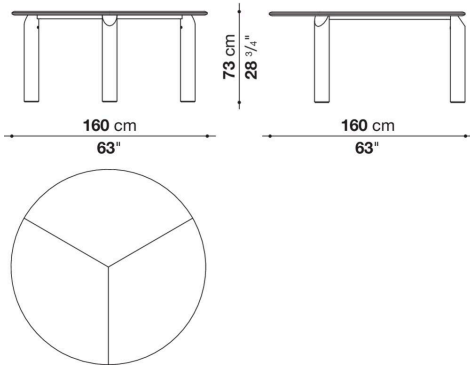
metal

**Ferrules**

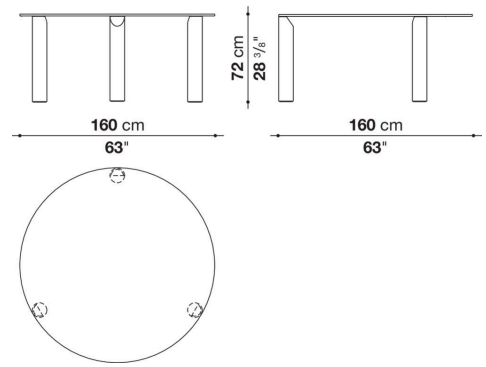
felt

# Technical drawings

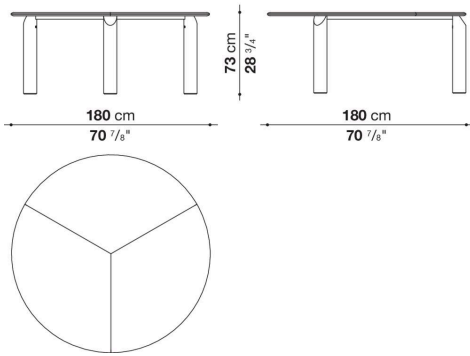
**TI160R**



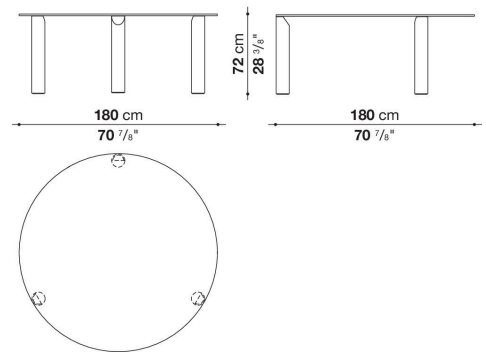
**TI160R\_V**



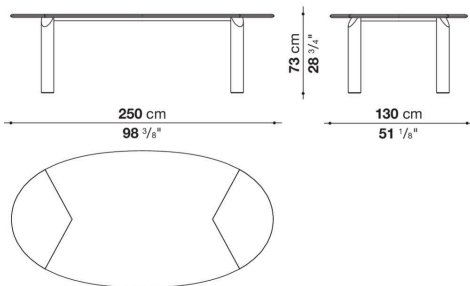
**TI180R**



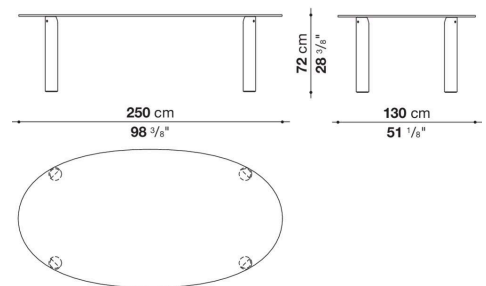
**TI180R\_V**



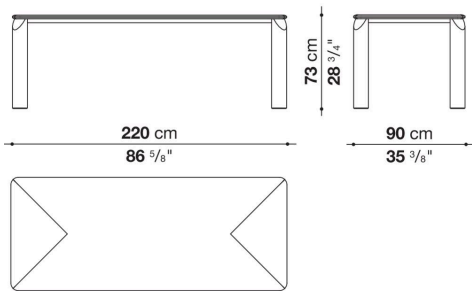
**TI250**



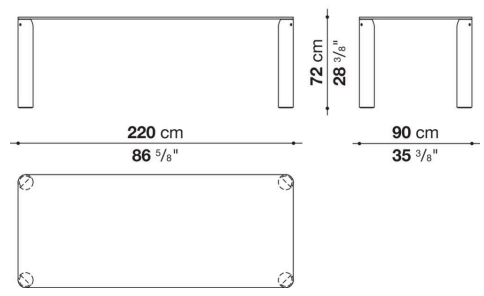
**TI250\_V**



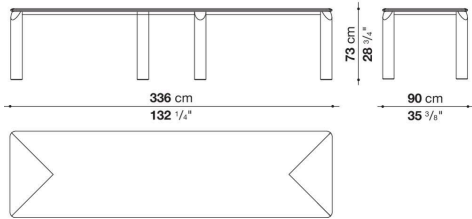
**TI220**



**TI220\_V**



**TI336**



**TI336\_V**

